



## EnerSol 260

**+ 0/+5 WP POSITIVE TOLERANCE**

**🏠 ROOFTOP AND OFF-GRID DESIGN**

**✓ HIGH QUALITY**

**25 year** linear performance warranty  
**10 year** product warranty

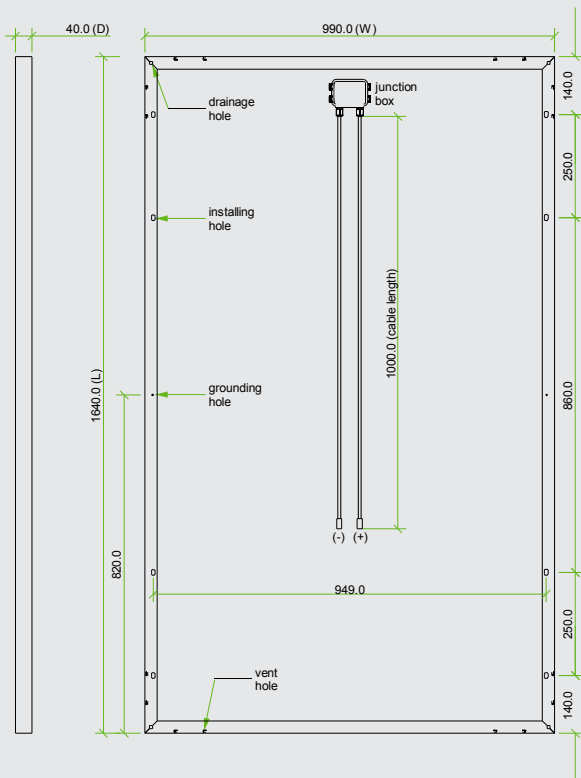


enerSol

High quality solar panels designed  
for rooftop and off-grid applications

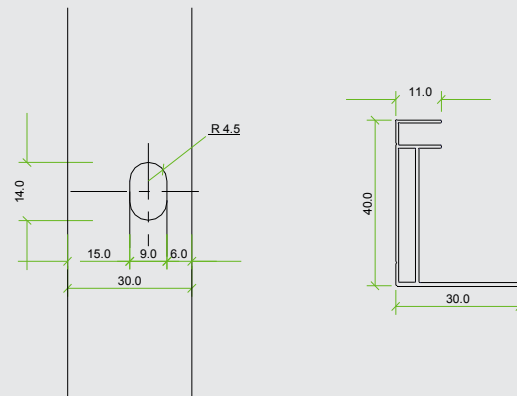


# EnerSol 260



## General characteristics

Cell	polycrystalline solar cell 156 x 156 mm
No. of Cells (Connections)	60 (6x10)
Panel Dimensions	1640 x 990 x 40 mm
Weight	19.0 kg
Connectors and Cables	Connectors and 1m cables



## Thermal conditions

Normal Operating Cell Temperature 800W/m <sup>2</sup> Irradiance, 20°C, AM = 1.5	48°C ± 2°C
Power Temperature Coefficient	- 0.5%/K
Current Temperature Coefficient	0.035%/K
Voltage Temperature Coefficient	- 0.37 MV/K

## Limits

Operating Temperature	- 40°C to 85°C
Maximum System Voltage	1000V DC

## Electric performance at STC \*

Maximum Power	260 Wp
Power Tolerance	0/+5 Wp
Module efficiency	15.7%
Maximum Power Voltage	31.21V
Maximum Power Current	8.33A
Open Circuit Voltage	38.62V
Short Circuit Current	8.94A

\*Standard Test Conditions : 1000W/m<sup>2</sup> irradiance, 25°C and AM = 1.5

## High performance

25

**25 Years**  
linear performance

10

**10 Years**  
product warranty

